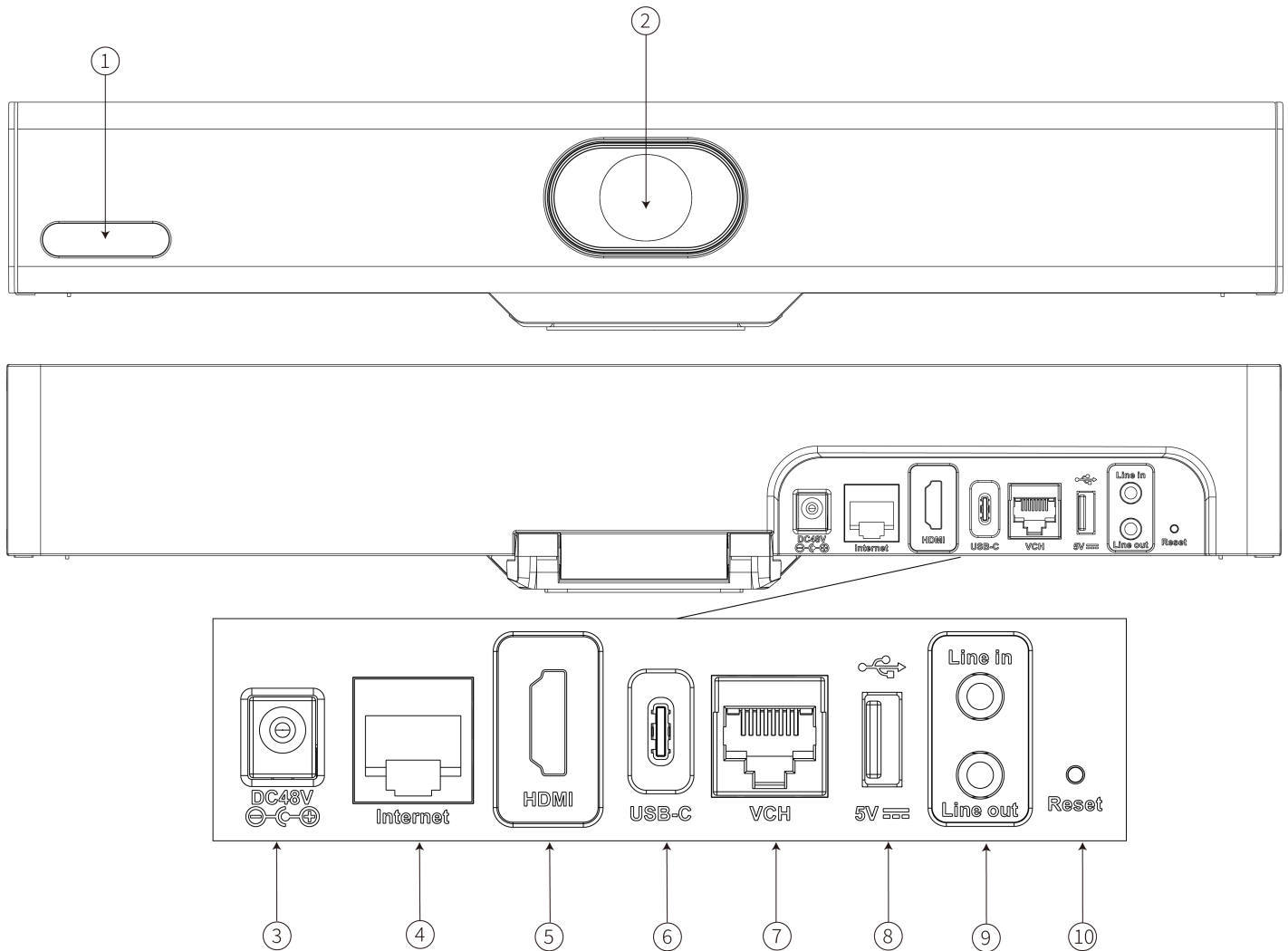


# Quick Usage

## Hardware Introduction

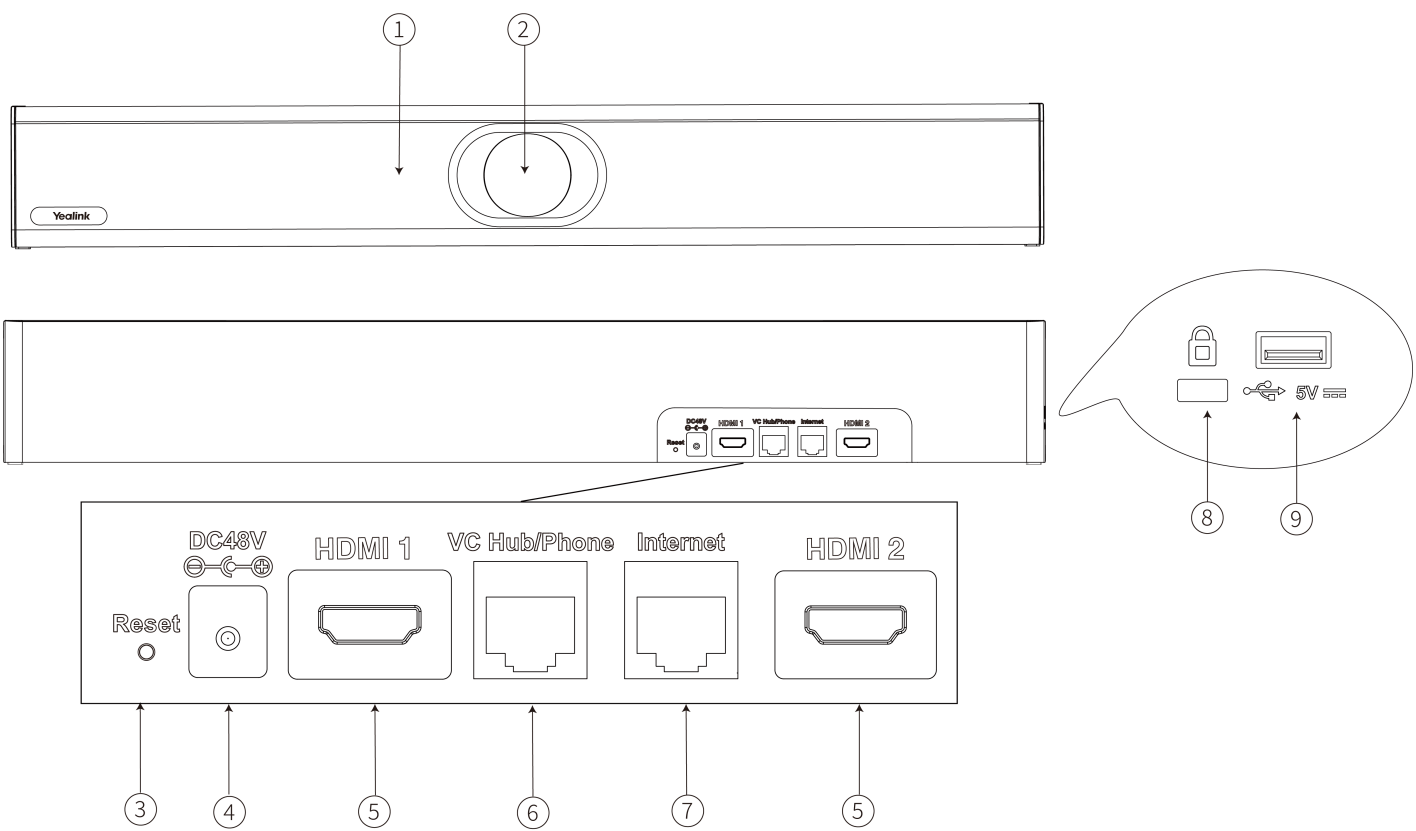
### MeetingBar A10



No.	Item	Description
1	LED Indicator	Indicate the device status.
2	Camera	Camera with an electric privacy shutter.
3	DC48V	Connect to a power source via a power adapter.
4	Internet Port	Connect to a network device.
5	HDMI Port	Connect to a display for image output.

6	USB-C Port	Connect the USB-C cable to use wired content sharing or wired Device Mode.
7	VCH Port	Reserved port.
8	USB-A Port	Connect to USB accessories, such as mouse/Yealink Wireless Presentation Pod.
9	Line-in Port/Line-out Port	Connect to an audio output/input device via an audio cable (3.5 mm).
10	Reset Key	Reset the MeetingBar A10 device to factory defaults.

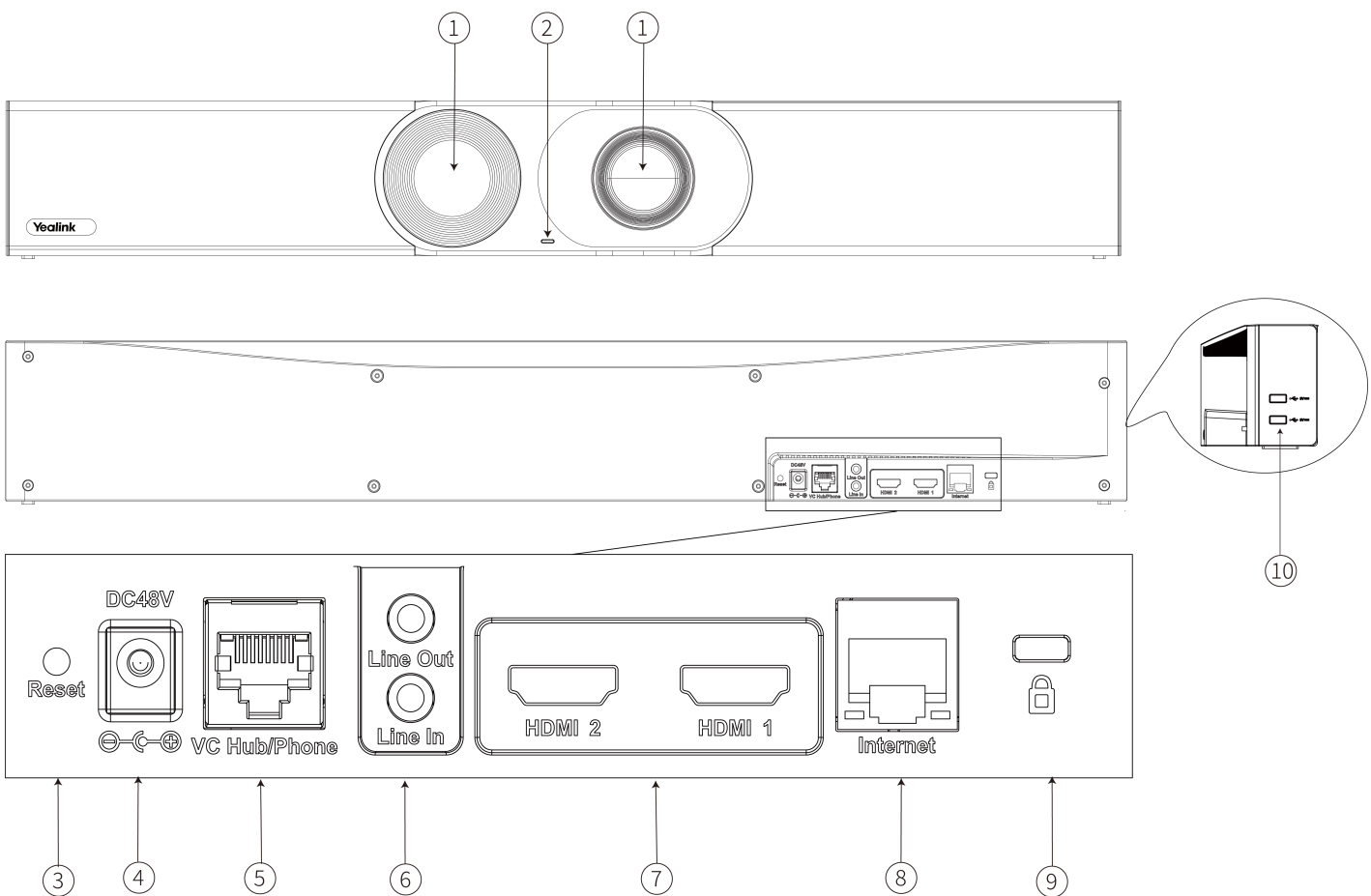
**MeetingBar A20**



No.	Item	Description
1	LED Indicator	Indicate the device status.
2	Camera	Camera with an electric privacy shutter.
3	Reset Key	Reset the MeetingBar A20 device to factory defaults.
4	DC48V	Connect to a power source via a power adapter.
5	HDMI 1 Port&HDMI 2 Port	- Connect to a display for video image output. - You need to use HDMI 1 Port first when using only one display. Otherwise, the A20 cannot output images.

6	VC Hub/Phone Port	- If you want to use wired sharing to present, connect this port to the PoE port on the VCH51 video conferencing hub. - This port can also be connected to <b>VCM34</b> and <b>VCM38</b> to optimize the audio experience.
7	Internet Port	Connect to a network device.
8	Security Slot	Allow you to connect a universal security cable to the device so that you can lock the device down. The device cannot be removed when locked.
9	USB-A Port	Connect to USB accessories, such as mouse/Yealink Wireless Presentation Pod.

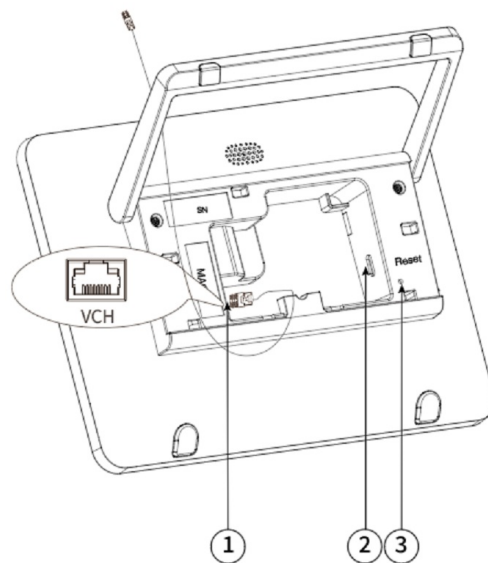
**MeetingBar A30**



No.	Item	Description
1	Camera	Camera with an electric privacy shutter.
2	LED Indicator	Indicate the device status.
3	Reset Key	Reset the MeetingBar A30 device to factory defaults.
4	DC48V	Connect to a power source via a power adapter.

5	VC Hub/Phone Port	<ul style="list-style-type: none"> <li>- If you want to use wired sharing to present, connect this port to the PoE port on the VCH51 video conferencing hub.</li> <li>- This port can also be connected to <a href="#">VCM34</a> and <a href="#">VCM38</a> to optimize the audio experience.</li> </ul>
6	Line-in Port/Line-out Port	Connect to an audio output/input device via an audio cable (3.5 mm).
7	HDMI 1 Port&HDMI 2 Port	<ul style="list-style-type: none"> <li>- Connect to a display for video image output.</li> <li>- You need to use HDMI 1 Port first when using only one display. Otherwise, the A30 cannot output images.</li> </ul>
8	Internet Port	Connect to a network device.
9	Security Slot	Allow you to connect a universal security cable to the device, so you can lock the device down. The device cannot be removed when locked.
10	USB-A Port	Connect to a USB accessory, such as a mouse/Yealink Wireless Presentation Pod.

**CTP18**



No.	Item	Description
1	VCH Port	It can be powered by a PoE power adapter to transmit the network and data simultaneously.
2	Type-C Port	For developers to debug.
3	Reset Key	Reset the CTP18 device to factory defaults.

**MeetingBar AX0 LED Indicator**

MeetingBar A10/A20/A30 LED Status	Description
Off	The device is not powered on.
Solid green	-The device is initializing. -The device is working (calling/sharing content).
Flash green	The device has incoming calls.
Solid red	The device is muted.
Solid orange	The device is in idle status.
Flash orange	The device is upgrading firmware.

### Familiarize with Interface

**NOTE**  
Before powering the system for the first time, please refer to [MeetingBar A10](#), [MeetingBar A20](#), [MeetingBar A30](#) or [CTP18](#) to complete the initial configuration.

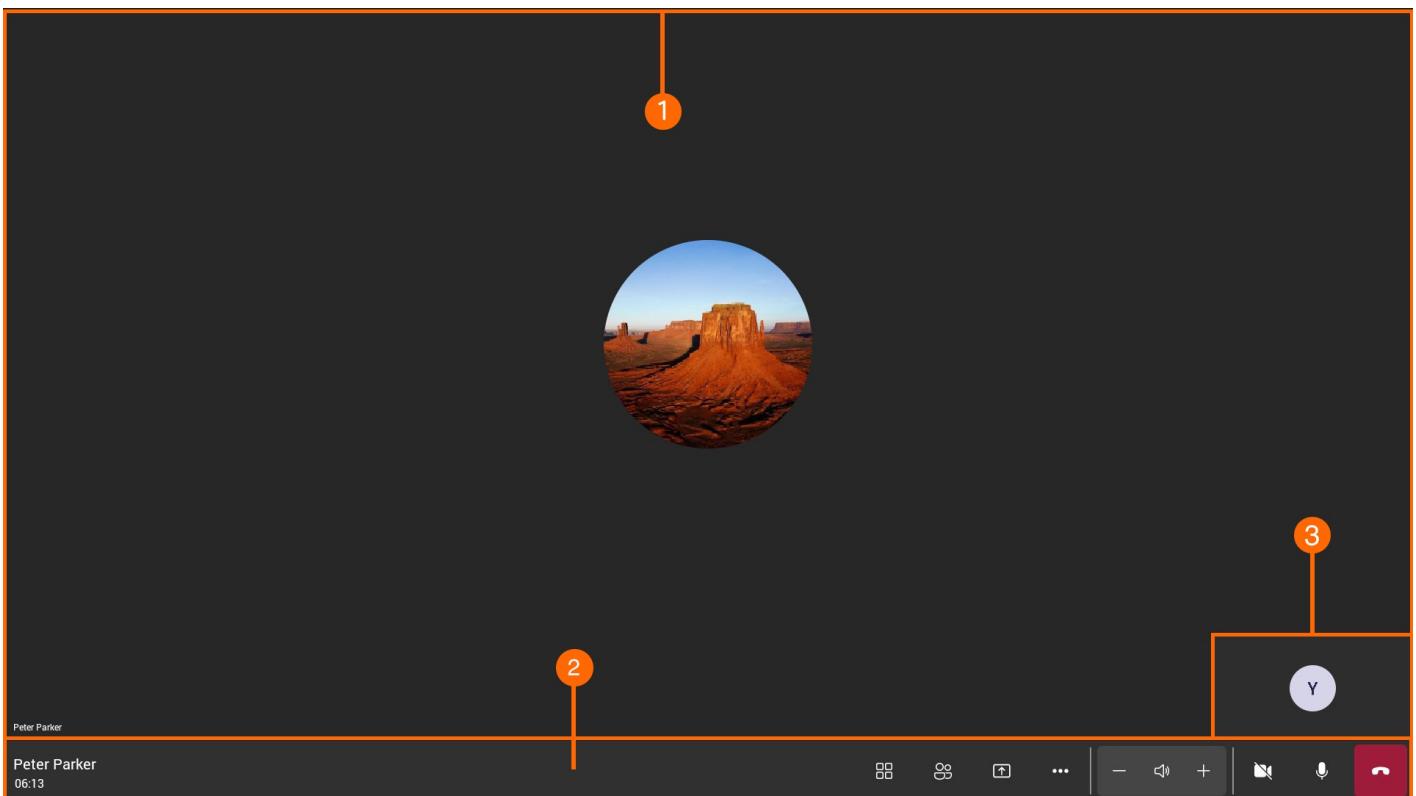
### Home Interface



No.	Description
1	The local time.
2	The meeting room (account) name.

3	If you' ve configured a Calling Plan for your Teams account, it displays the account' s work number.
4	Start an instant meeting.
5	If you' ve configured a Calling Plan for your Teams account, you can join a meeting by dialing a phone number.
6	Whiteboard.
7	Start/stop sharing.
8	Join with a meeting ID.
9	Configure the video conferencing device.
10	Scheduled meetings.
11	Join an invited meeting.
12	Return to the home page, configure settings and camera, or enter the help center.

**Meeting Interface**



No.	Description
1	Display the remote video screen.
2	Meeting control toolbar.
3	Display the local video screen.

## Quick Usage

When you complete the [Deployment & Connection](#) and [Quick Setup](#), you can use the meeting room system directly.

Description	Related Document
Start an instant meeting.	<a href="#">Instant Meeting</a>
Join a meeting.	<a href="#">Join Meeting</a>
Invite a member to the meeting.	<a href="#">Invite Participants</a>
Starting sharing via the WPP20.	<a href="#">Wireless Content Sharing</a>
Starting sharing via cable.	<a href="#">Wired Content Sharing</a>
Use the wireless device mode.	<a href="#">Wireless Device Mode</a>
Use the wired device mode.	<a href="#">Wired Device Mode</a>
Camera control.	<a href="#">Camera Control</a>

## FAQ

### Where are the built-in microphone and speaker on the MeetingBar A10/A20/A30?

The built-in microphone and built-in speaker of the MeetingBar A10/A20/A30 are respectively distributed on both sides. The following figure takes the MeetingBar A30 as an example.



### Can I control MeetingBar A10/A20/A30 with a touch display instead of CTP18?

AX0 with a touch display can perform basic control and use the whiteboard function but cannot control the camera. After AX0 is paired with the CTP18, it can control the camera and other operations.